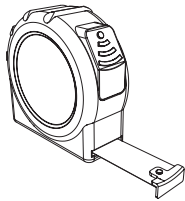


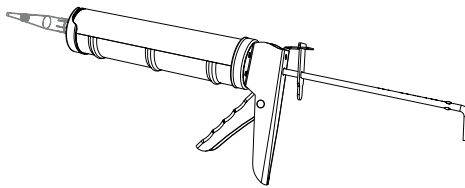


Martini Soffit – Direct Fix

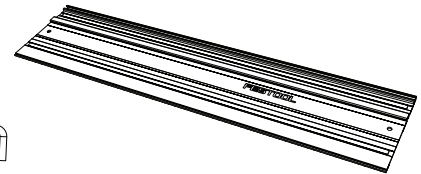
Tools you'll need:



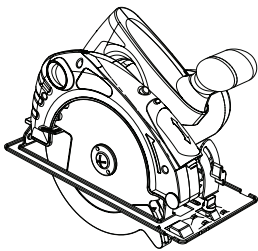
Measuring Tape



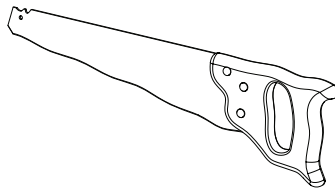
Adhesive



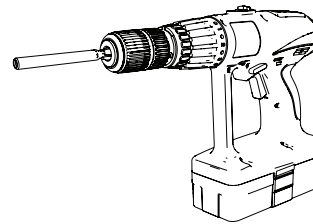
Festool Track & Guide
with a Granite Blade



Fine-tooth Blade



Procut Insulation
Hand Saw



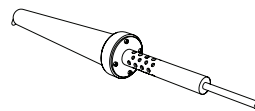
Pin Fastening Tool



Pointed Chisel



Pencil



Soldering Iron



Fastening Pin

Handling and Storage

To ensure unnecessary damage to the sheets we recommend the following:

- Carry bags and sheets upright.
- Avoid unnecessary weights on the sheets.
- Sheets should be kept on a flat clean surface.
- When handling ensure you have clean hands. Alternatively use clean gloves to reduce markings on light colours.

- Store in a cool dry place avoiding humidity.
- Do not stack sheets higher than our recommended quantity below.

Sheet Thickness	Recommended Max Stacked Qty
25mm	50 sheets
50mm	25 sheets
75mm	16 sheets
100mm	8 sheets

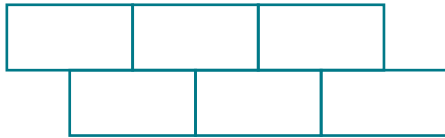


Maintenance - Cleaning

- Remove dust with a light vacuum or duster.
- Remove dirt with a clean soft cloth or sponge.
- Always use a soft damp cloth and blot dry.
- Test a sample first. For more details, refer to CSR Martini Care & Maintenance Guide.

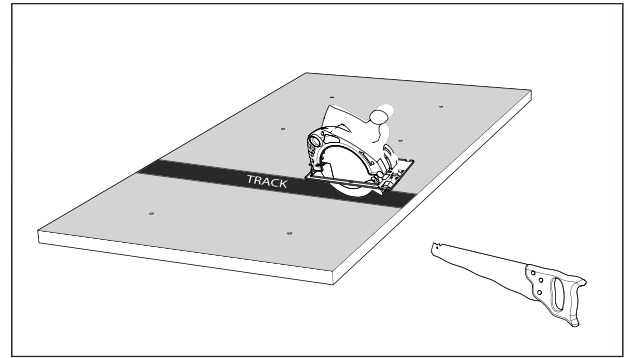
Installation Considerations

Ensure that you have the planned installation guide from your architect/builder to follow. Always butt join the product in a brick pattern when using Martini Soffit.

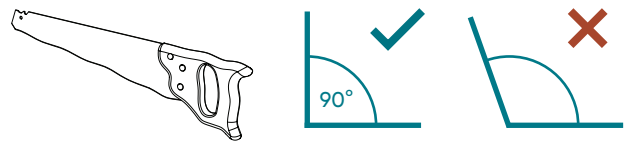


Cutting Absorb Soffit Sheets

- The recommended cutting method is to use a saw with track and guide with a granite blade, or a procut handsaw.



- If using a handsaw, ensure the blade is 90 degrees to the surface for square edges and for best results on butt joints.



- For best results, use multiple cuts and light pressures.



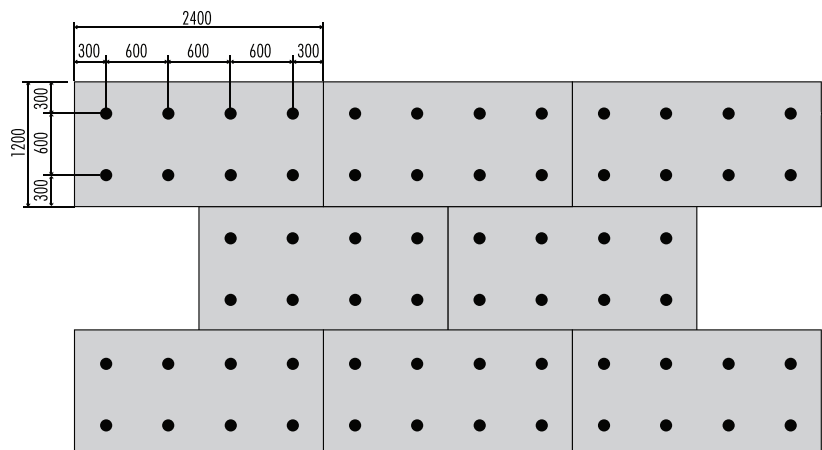
- Take maximum care for best results.
- Keep flat and use a backing mat.
- Use a secure straight edge for straight cuts.

Drilling Holes In Martini Soffit

Martini Soffit has a stronger laminated side making ideal for exposed areas.

If you have ordered Martini Soffit with pre-drilled holes, you won't need to action the details below.

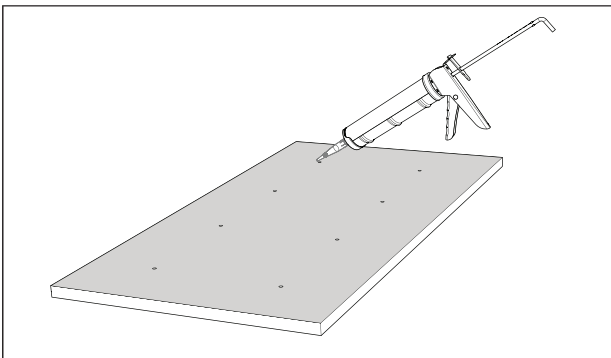
Martini Soffit Pre-drilled Hole Pattern



If you have a unique layout and opted to create your own holes, you can use a Leister heat gun that has been modified with copper tube/or a soldering iron. This will successfully melt holes into polyester acoustic products. We recommend creating a template to get accurate holes over the entire installation.

General Adhesive Applications

- If required, we recommend only applying adhesive on the corners of the Martini Soffit sheets.
- Refer to adhesive manufacturer for preferred application and Installation technique.
- Check supplier data for suitability and perform a test piece to confirm material bond.
- Seal substrates and immediately clean off any spills from the seen surfaces.

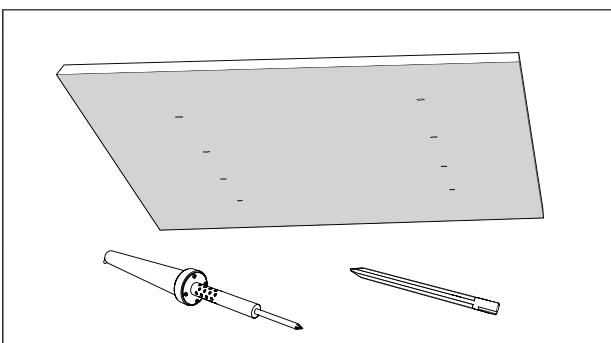


Managing Obstacles

When applying product around internal services simply cut product (as per cutting guide on previous page) and fit the product around the already installed services.

OR

If you need to create holes to insert services, you can use a Leister heat gun that has been modified with copper tube/or a soldering iron. This will successfully melt holes into polyester acoustic products.



Before Installing

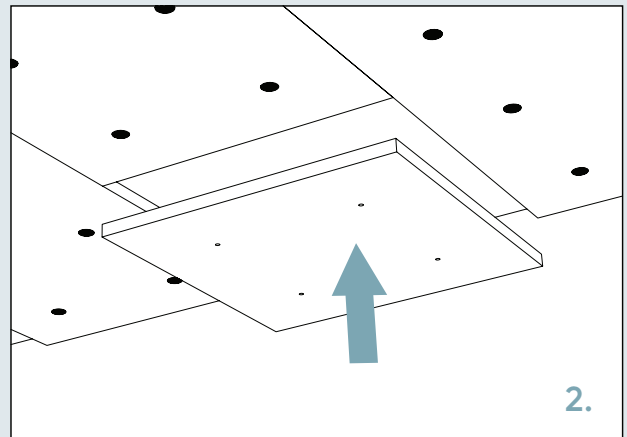
NOTE: Lay out product in natural light to ensure sheets are consistent in colour prior to fixing under soffit.

Step 1.

If using adhesive's on corners, apply adhesive to the corner of the sheet as per the manufactures instructions/specifications.

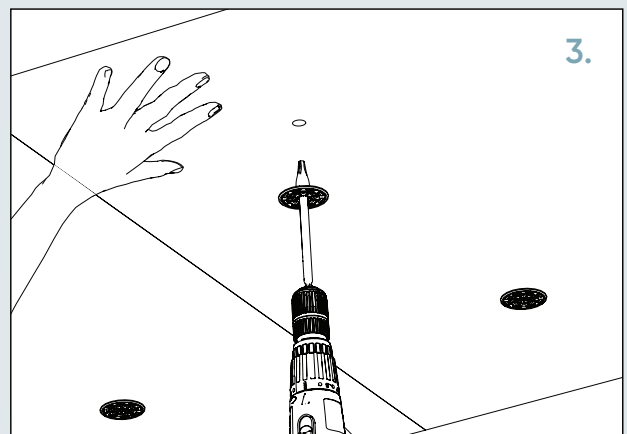
Step 2.

Place sheet in position.



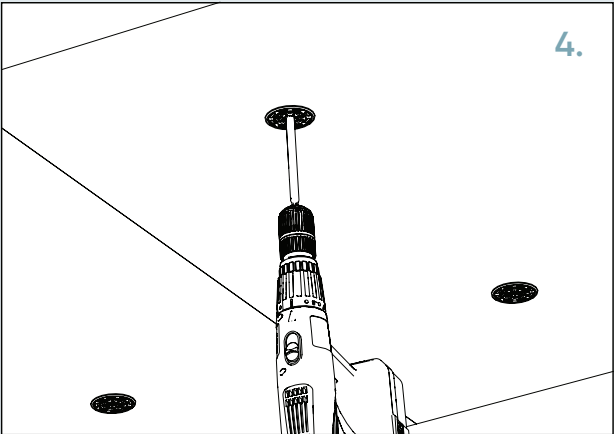
Step 3.

Using the pin fastener, position the pins through the pre-drilled holes.



Step 4.

Fasten the pin through to secure.



Step 5.

Repeat steps on all sheets till complete.

