

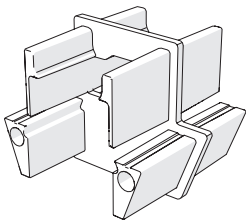


martini
dECO BLADES

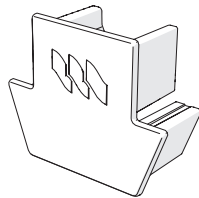
INSTALLATION GUIDE

dECO Blades – Direct Fixed with Verto™ System

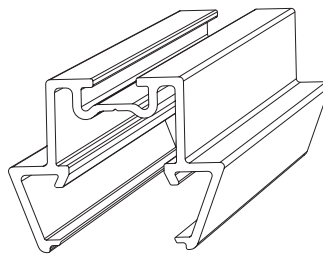
Components:



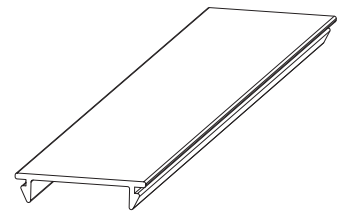
Connector



End Caps

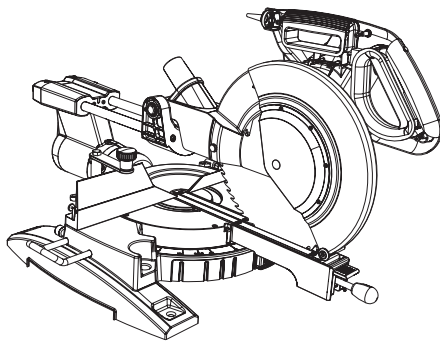


Aluminium Extrusion

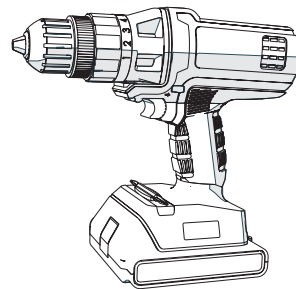


Snap Covers

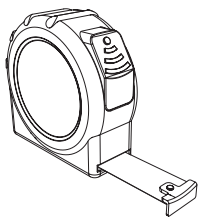
Tools you'll need:



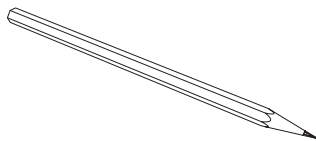
Drop Saw



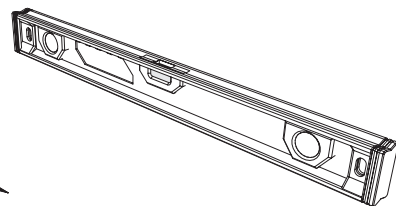
Drill



Measuring Tape



Pencil

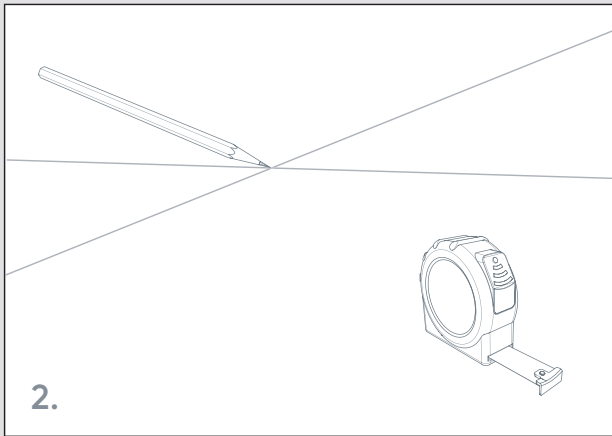
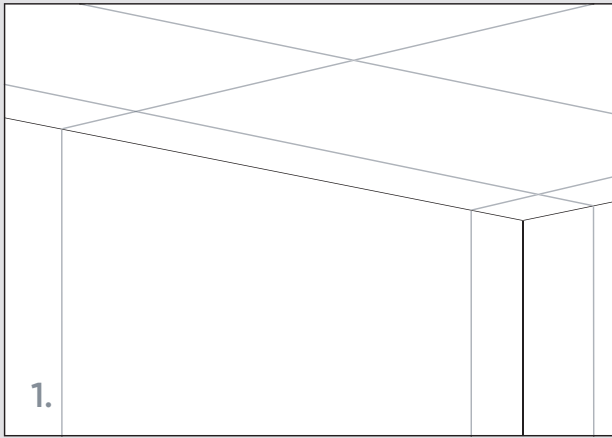


Level



Step 1 and 2

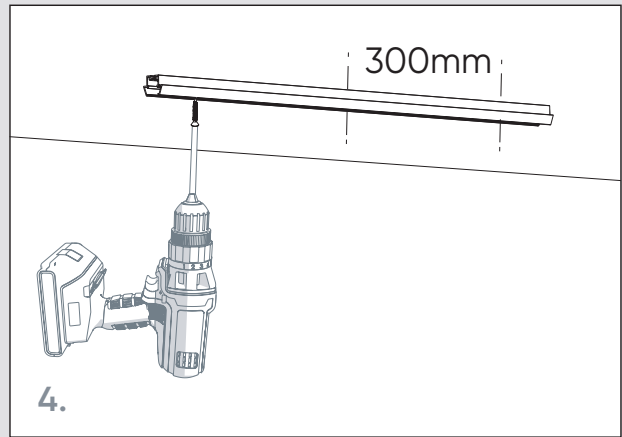
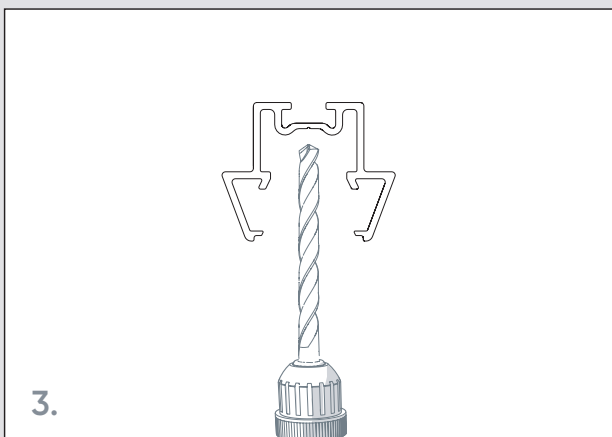
Layout all components for use.
Prepare area and use laser level
to mark out desired location.



Step 3 and 4

Using the centre line marked on
the underside of the extrusion, drill a
clearance hole through the aluminium
with 300mm spacings.

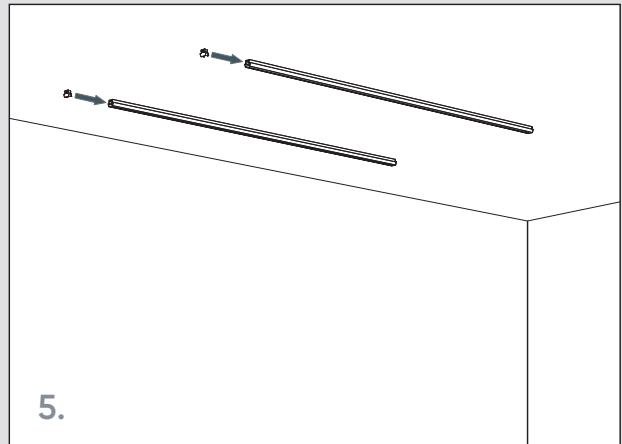
Drill the aluminium extrusion into the pre
marked location on the ceiling ensuring
you are fixing into a structural member.



Step 5

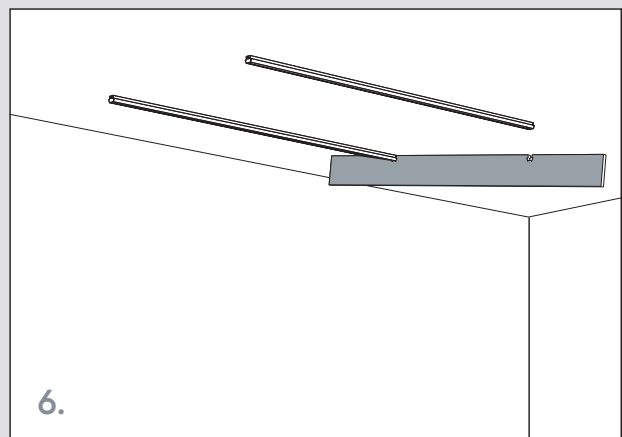
Repeat this step 3 and 4 with the other
extrusion. Insert end caps on either
side of the aluminium.

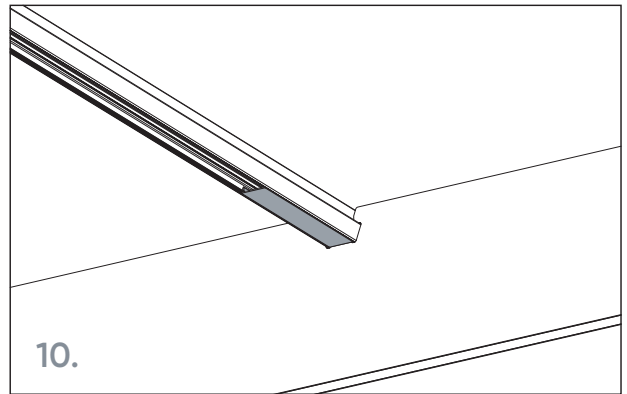
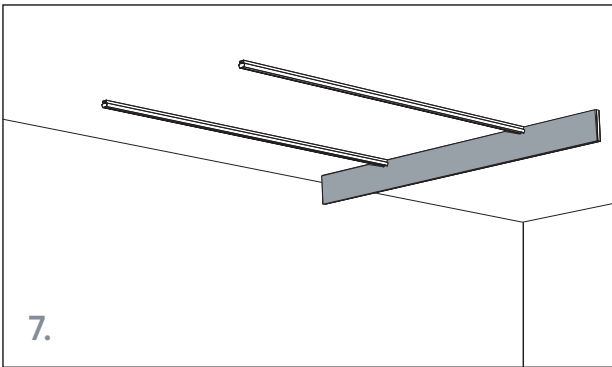
NOTE: Spacing of aluminium extrusion
should be parallel apart at either 600mm
or 1200mm depending on the dECO Blades
size purchased.



Step 6 and 7

Snap your first acoustic blade flushed
to the edge of the aluminium extrusion.

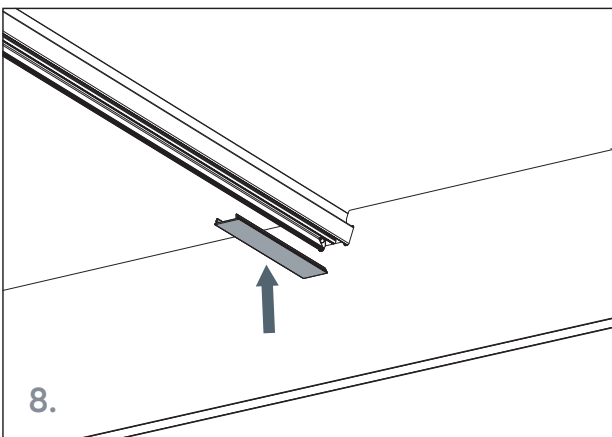
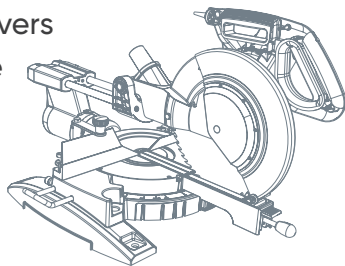




Step 8, 9 and 10

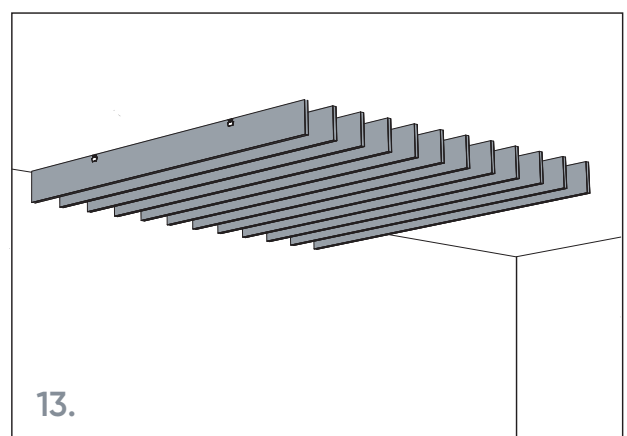
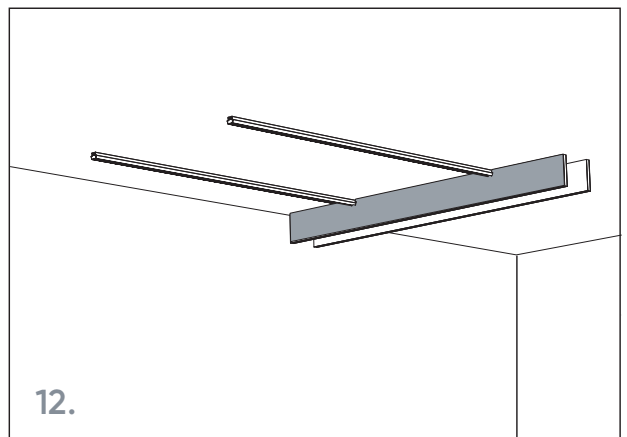
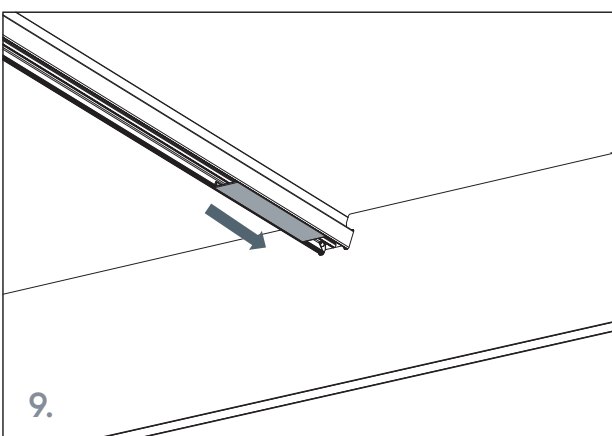
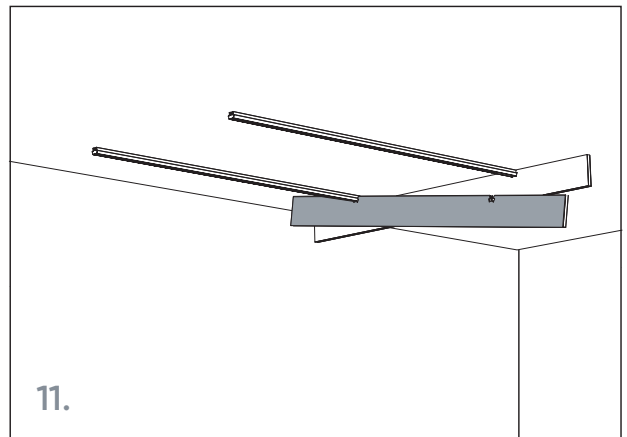
NOTE: Trim the Snap Cover into the required size to use as the snap cover/spacer for the dECO Blades using a drop saw. Ensure you consider the thickness of the acoustic panels when determining a spacing size to cover the entire 2.5m. Refer to dECO Blades Data Sheet for recommended spacing at csmartini.com.au

Insert the Snap Covers near the first blade you have already installed and slide across.



Step 11, 12 and 13

Continue until you have positioned all blades and snap covers across the entire system.



Step 14

For modular setup use supplied connector.

