

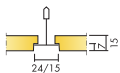
Ecophon Advantage™ E

Ecophon Advantage™ E has a recessed visible grid and a tegular edge design, creating a ceiling with a shadow effect to accentuate each tile and partially conceal the grid system. For applications requiring an easy-install suspended ceiling and meets essential functional demands.



Woonline, Netherlands

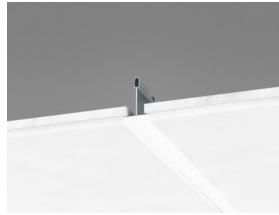
SYSTEM RANGE



| | | | |
|-----------------|------------|------------|----------|
| Size, mm | 600x600 | 1200x600 | 1250x625 |
| Connect T15 | • | • | • |
| Connect T24 | • | • | • |
| Thickness (THK) | 15 | 15 | 15 |
| Inst. Diagr. | M122, M272 | M122, M272 | M122 DIN |



Advantage E tile



Section of Advantage E system with Connect T24



Advantage E system with Connect T24

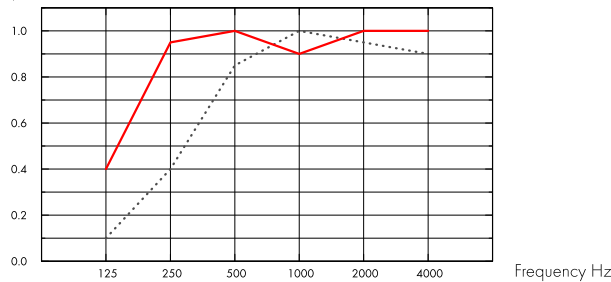


Acoustic

Sound Absorption:

Test results according to EN ISO 354. Classification according to EN ISO 11654, and the single value ratings for Noise Reduction Coefficient, NRC and Sound Absorption Average, SAA according to ASTM C 423.

α_p , Practical sound absorption coefficient



..... Advantage E 15 mm, 60 mm o.d.s.

— Advantage E 15 mm, 200 mm o.d.s.

o.d.s = overall depth of system

| THK mm | o.d.s. mm | α_p , Practical sound absorption coefficient | | | | | | α_w | Sound absorption class |
|--------|-----------|---|--------|--------|---------|---------|---------|------------|------------------------|
| | | 125 Hz | 250 Hz | 500 Hz | 1000 Hz | 2000 Hz | 4000 Hz | | |
| 15 | 60 | 0.10 | 0.40 | 0.85 | 1.00 | 0.95 | 0.90 | 0.70 | C |
| 15 | 200 | 0.40 | 0.95 | 1.00 | 0.90 | 1.00 | 1.00 | 1.00 | A |

| THK mm | o.d.s. mm | NRC | SAA |
|--------|-----------|------|------|
| 15 | 60 | 0.80 | 0.80 |
| 15 | 200 | 0.95 | 0.95 |
| 15 | 400 | 0.85 | 0.87 |



Indoor Air Quality

| Certificate / Label | 600x600, 1200x600 | Other formats |
|------------------------------|-------------------|---------------|
| Eurofins Indoor Air Comfort® | IAC Gold | IAC |
| French VOC | A+ | A |
| Finnish M1 | | • |



Environmental Footprint

| | kg CO ₂ equiv/m ² | life-cycle stages A1 to C4 from EPD, in conformity with ISO 14025 / EN 15804 |
|-------------|---|--|
| Advantage E | 1,98 | |



Circularity

| | |
|--|------------------|
| Minimum post-consumer recycled content | 47% |
| Recyclability | Fully recyclable |



Fire safety

| Country | Standard | Class |
|---------|------------|----------|
| Europe | EN 13501-1 | A2-s1,d0 |

The glass wool core of the tiles is tested and classified as non-combustible according to EN ISO 1182.



Humidity Resistance

Class C, relative humidity 95% and 30°C, according to EN 13964:2014



Visual appearance

White 500. Nearest NCS colour code; NCS S 0500-N. 83 % light reflectance. (The tiles need to be installed in accordance with the arrows on the back of the tile in order to get optimal visual appearance).



Cleanability

Weekly dusting and vacuum cleaning.



Accessibility

The tiles are easily demountable. Minimum demounting depth according to installation diagrams.



Installation

Installed according to installation diagrams, installation guides and drawing aid. (The tiles to be installed according to the arrows on the back of the tile.)



System weight

The weight of the system (including suspension grid) should be approximately 2.5 kg/m².



Mechanical properties

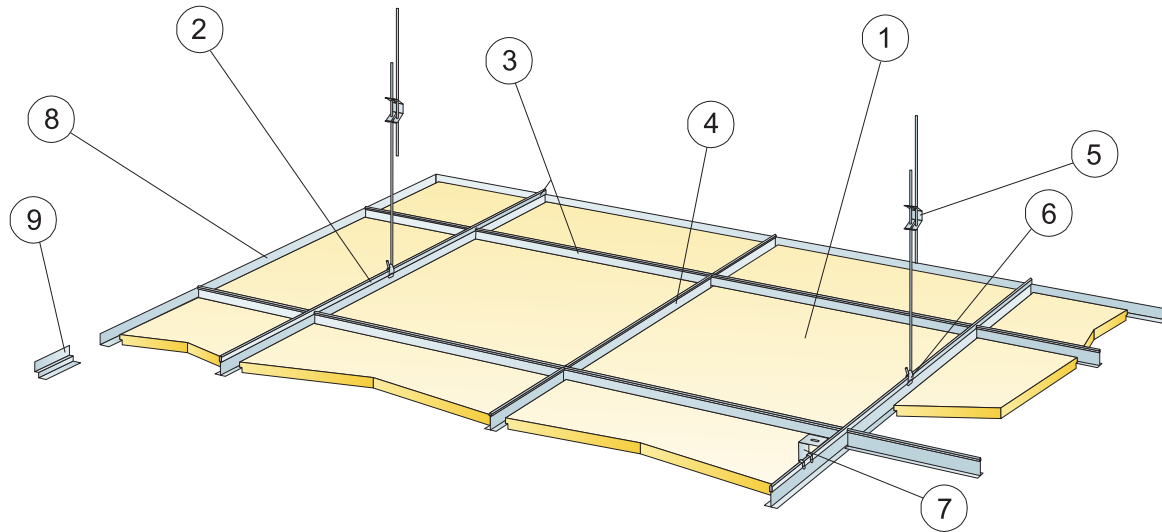
See table about Max live load and Min load bearing capacity and Functional demands, Mechanical properties at www.ecophon.com.



CE

Ecophon ceiling systems are CE marked according to the European harmonized standard EN 13964:2014. CE marked construction products are covered by a Declaration of Performance (DOP) which enables customers and users to easily compare performance of products available on the European market.

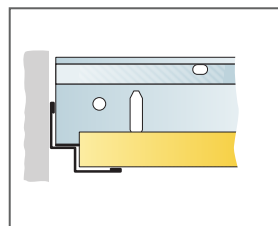
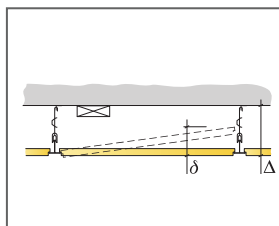
INSTALLATION DIAGRAM (M122) FOR ECOPHON ADVANTAGE E



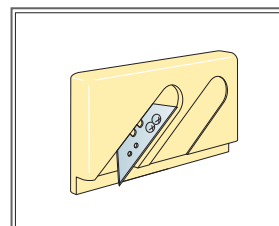
© Ecophon Group

QUANTITY SPECIFICATION (EXCL. WASTAGE)

| | Size, mm | |
|--|---------------------|---------------------|
| | 600x600 | 1200x600 |
| 1 Advantage E | 2,8/m ² | 1,4/m ² |
| 2 Connect T24 or T15 Main runner, installed at 1200 mm centres (max. distance from wall 600 mm, can be extended up to 1200 mm if no live load between Main runner and wall). | 0,9m/m ² | 0,9m/m ² |
| 3 Connect T24 or T15 Cross tee, L=1200 mm, installed at 600 mm centres | 1,7m/m ² | 1,7m/m ² |
| 4 Connect T24 or T15 Cross tee, L=600 mm | 0,9m/m ² | - |
| 5 Connect Adjustable Hanger, installed at 1200 mm centres (max. distance from wall 600 mm) | 0,7/m ² | 0,7/m ² |
| 6 Connect Hanger Clip (not to be used in swimming hall environments) | 0,7/m ² | 0,7/m ² |
| 7 For direct installation: Connect Direct Bracket, installed at 1200 mm centres | 0,7/m ² | 0,7/m ² |
| 8 Connect Angle Trim, fixed at 300 mm centres | as required | as required |
| 9 Connect Shadow-line Trim, fixed at 300 mm centres | as required | as required |
| Δ Min. overall depth of system, with adjustable hanger: 110 mm, with direct bracket: 60 mm | - | - |
| δ Min. demounting depth: T15: 110 mm, T24: 90 mm | - | - |
| For luminaire integration in panels use Connect Bridging | - | - |



Straight cut, panel resting on shadow-line trim.

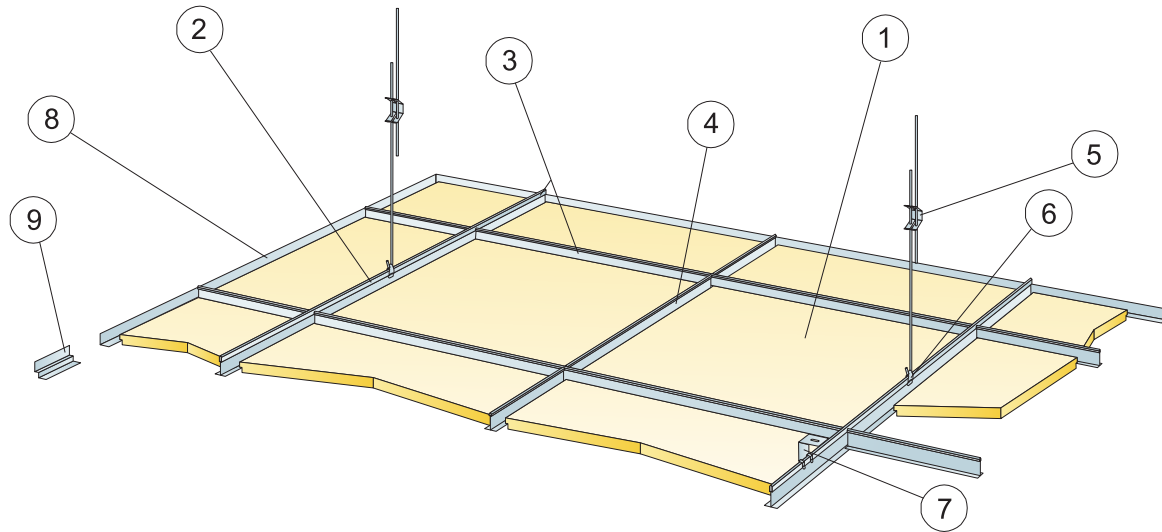


Cutting tool E

| Size, mm | Max live load (N) | Min load bearing capacity (N) |
|-------------|-------------------|-------------------------------|
| 600x600x15 | 50 | 160 |
| 1200x600x15 | 50 | 160 |

Live load/load bearing capacity

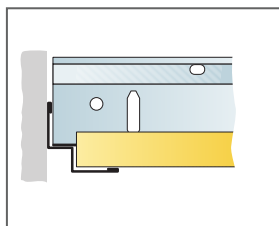
INSTALLATION DIAGRAM (M122) FOR ECOPHON ADVANTAGE E



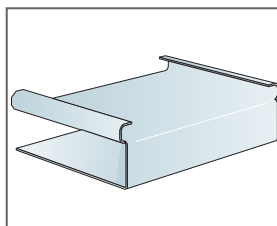
© Ecophon Group

QUANTITY SPECIFICATION (EXCL. WASTAGE)

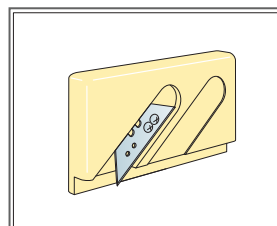
| | Size, mm |
|--|---------------------|
| | 1250x625 |
| 1 Advantage E | - |
| 2 Connect T24 or T15 Main Runner, installed at 1250 mm centres | 0,8m/m ² |
| 3 Connect T24 or T15 Cross Tee, L=1250 mm, installed at 625 mm centres | 1,6m/m ² |
| 4 Connect T24 or T15 Cross Tee, L=625 mm | - |
| 5 Connect Adjustable Hanger, installed at 1250 mm centres (max. distance from wall 600 mm) | 0,7/m ² |
| 6 Connect Hanger Clip (not to be used in swimming hall environments) | 0,7/m ² |
| 7 For direct installation: Connect Direct bracket, installed at 1250 mm centres | 0,7/m ² |
| 8 Connect Angle trim, fixed at 300 mm centres | as required |
| 9 Connect Shadow-line trim, fixed at 300 mm centres | as required |
| 10 Connect E-plug (for Connect Shadow-line Trim) | as required |
| Δ Min. overall depth of system, with adjustable hanger: 110 mm, with direct bracket: 60 mm | - |
| δ Min. demounting depth: T15: 110 mm, T24: 90 mm | - |
| For luminaire integration in panels use Connect Bridging | - |



Straight cut, panel resting on shadow-line trim.



Connect Eplug

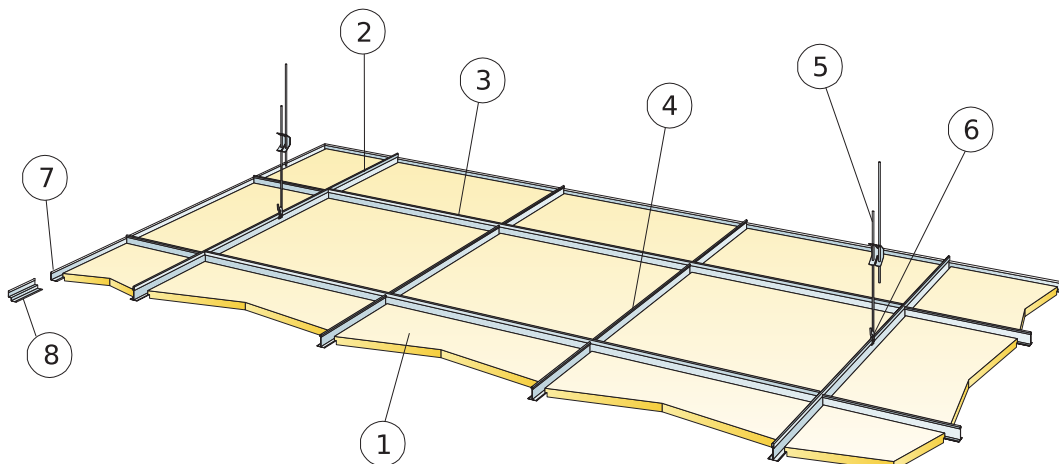


Cutting tool E

| Size, mm | Max live load (N) | Min load bearing capacity (N) |
|-------------|-------------------|-------------------------------|
| 1250x625x15 | - | - |

Live load/load bearing capacity

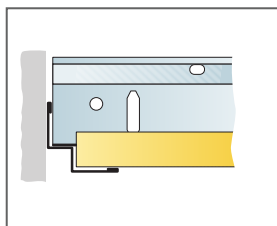
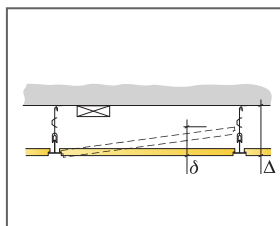
INSTALLATION DIAGRAM (M272) FOR ECOPHON ADVANTAGE E, CONNECT T24 MAIN RUNNER INSTALLED AT 1800 MM CENTRES



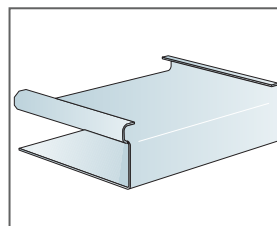
© Ecophon Group

QUANTITY SPECIFICATION (EXCL. WASTAGE)

| | Size, mm | |
|--|---------------------|-------------|
| | 600x600 | 1200x600 |
| 1 Advantage E | 2,8/m ² | - |
| 2 Connect T24 Main runner, installed at 1800 mm centres (max. distance from wall 600 mm, can be extended up to 1200 mm if no live load between Main runner 0,56m/m ² and wall). | 0,56/m ² | - |
| 3 Connect T24 Cross tee, L=1800 mm | 1,7/m ² | - |
| 4 Connect T24 Cross tee, L=600 mm | 1,1/m ² | - |
| 5 Connect Adjustable hanger, installed at 1200 mm centres (max. distance from wall 600 mm) | 0,46/m ² | - |
| 6 Connect Hanger clip | 0,46/m ² | - |
| 7 Connect Angle trim, fixed at 300 mm centres | as required | as required |
| 8 Alt. Connect Shadow-line Trim, fixed c300 | as required | as required |
| Δ Min. overall depth of system, with adjustable hanger: 100 mm, with direct bracket: 50 mm | - | - |
| δ Min. demounting depth: 120 mm | - | - |
| For luminaire integration in panels use Connect Bridging | - | - |



Straight cut, panel resting on shadow-line trim.



Connect E-plug

| Size, mm | Max live load (N) | Min load bearing capacity (N) |
|-------------|-------------------|-------------------------------|
| 600x600x15 | 20 | 160 |
| 1200x600x15 | - | - |

Live load/load bearing capacity