

Ecophon Akusto™ Wall C

For use as wall absorbers together with a sound absorbing ceiling, to achieve excellent acoustic properties in the room. Ecophon Akusto™ Wall C has a concealed grid and the bevelled edges create a narrow groove between each panel. The system provides extensive design possibilities.

The systems consist of Ecophon Akusto™ Wall C panels and Ecophon Connect profile systems with an approximate weight of 5 kg/m². The panels are manufactured from high density, 3rd generation glass wool. The visible surface has a glass fibre fabric (Texona in colours or Muralis with printed patterns) or an impact resistant glass fibre fabric (Super G), and is also available with a painted surface (Akutex™ FT). The back of the panel is covered with glass

tissue. The edges are painted, and the front surface is partly covering the long edges. Akusto™ Wall C with Texona, Akutex FT and Super G surfaces are available in size 2700x600x40mm. Akusto™ Wall C with Muralis surface in size 2400x600x40mm.

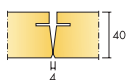
The Texona gamma version offers a reflecting surface, see absorption diagram.

For best performance and system quality, use Ecophon Connect profiles and accessories, which gives a lot of design possibilities. The profiles are manufactured from extruded aluminium.



Microsoft, Warsaw, Poland

SYSTEM RANGE



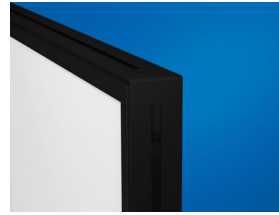
Size, mm	2700x600
Thinline Profile	•
WP Profile	•
Thickness (THK)	40
Inst. Diagr.	M354, M355, M235, M303, M356



Akusto Wall C



Section of Akusto Wall C System



Akusto Wall C system with Connect WP profile and external corner



Akusto Wall system with Connect Thinline profiles

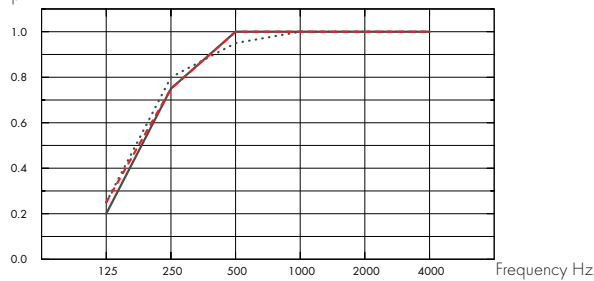


Acoustic

Sound Absorption:

Test results according to EN ISO 354. Classification according to EN ISO 11654, and the single value ratings for Noise Reduction Coefficient, NRC and Sound Absorption Average, SAA according to ASTM C 423.

α_p , Practical sound absorption coefficient



... Akusto Wall C Akutex FT 40 mm, 43 mm o.d.s.

– Akusto Wall C Texona 40 mm, 43 mm o.d.s.

--- Akusto Wall C Super G 40 mm, 43 mm o.d.s.

o.d.s = overall depth of system

	THK mm	o.d.s. mm	α_p , Practical sound absorption coefficient						α_w	Sound absorption class
			125 Hz	250 Hz	500 Hz	1000 Hz	2000 Hz	4000 Hz		
Akutex FT	40	43	0.25	0.80	0.95	1.00	1.00	1.00	1.00	A
Texona	40	43	0.20	0.75	1.00	1.00	1.00	1.00	1.00	A
Super G	40	43	0.25	0.75	1.00	1.00	1.00	1.00	1.00	A

THK mm	AC(1.5) Articulation Class, ASTM E1111, ASTM E1110
40	240



Accessibility

The tiles are not demountable except in selected installation diagrams. See quantity specification for more information.



Cleanability

Daily dusting, vacuum cleaning and weekly wet wiping (Super G and Akutex FT surfaces). Weekly dusting and vacuum cleaning (Texona and Muralis surfaces).



Visual appearance

Akusto Wall in white has high light reflectance. Light reflectance and nearest NCS colour sample for all the different colours: See Ecophon Colours and surfaces.



Influence of climate

The panels withstand a permanent ambient RH up to 95% at 30°C (Super G and Akutex FT surfaces) and RH up to 75% at 30°C (Texona and Muralis surfaces) without sagging, warping or delaminating (EN 13964). Thermal resistance for the panels, $R_p=1,0 \text{ m}^2\text{C}/\text{W}$. Since a wall absorber mounted on an external wall serves as additional insulation, the need for vapour barrier should be investigated.



Indoor Climate

Certificate / Label	
Finish M1	•
French VOC, A+	•
Swedish Asthma and Allergy Association	•
Danish Indoor Climate Label	•
California Emission Regulation, CDPH	•



Environmental influence

Certificate / Label		Fully recycable.
The Nordic Ecolabel	•	



CO₂

From EPD in conformity with ISO 14040	
Kg CO ₂ equiv/m ²	8,7



Fire safety

Country	Standard	Class	The glass wool core of the tiles is tested and classified as non-combustible according to EN ISO 1182.
Europe	EN 13501-1	A2-s1,d0	



Mechanical properties

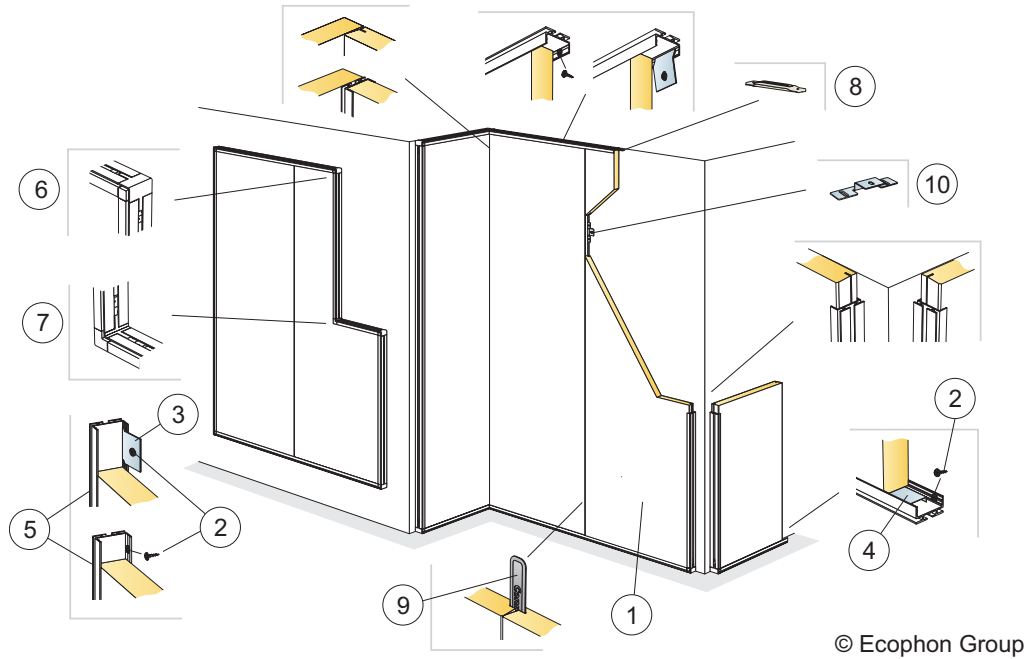
The Texona and Muralis surfaces have moderate impact resistance. M354 and M355 with Super G surface are tested according to EN 13964 annex D and DIN 18032 part 3 and fulfils the demands corresponding to class 1A. Please note: Where the panels are subjected to frequent blows and impacts e.g. behind goal mouths, protection in form of e.g restraining nets or wooden slats is required. No additional live load is allowed.



Installation

Installed according to installation diagrams, installation guides and drawing aid. For information regarding minimum overall depth of system see quantity specification. The systems should not be placed behind goals or similar areas where they frequently will be hit by hard ball shots. In such cases a protective net in front of the system is recommended.

INSTALLATION DIAGRAM (M354) FOR ECOPHON AKUSTO WALL C VERTICAL INSTALLATION

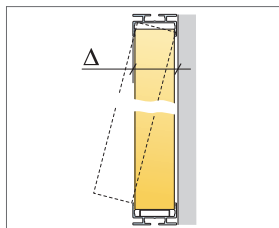


© Ecophon Group

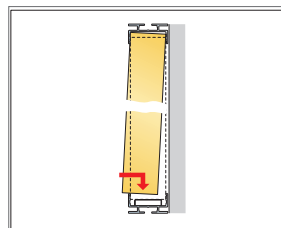
QUANTITY SPECIFICATION (EXCL. WASTAGE)

		Size, mm
		2700x600
1	Akusto Wall C	0,62/m ²
2	Connect Installation screw MVL (for use in plasterboard or timber)	as required
3	Alt. Connect Fixing bracket, fixed at 400 mm centres.	as required
4	Connect WP Space bar, L=2400 mm	as required
5	Connect WP Profile, L=2687 mm, fixed at 400 mm centres	as required
6	Connect WP External corner mounted in Connect WP Profile	as required
7	Connect WP Internal corner mounted in Connect WP Profile	as required
8	Connect WP Profile splice, used to extend WP profiles where needed.	as required
9	Connect Spline	as required
10	Connect Fixing plate, installed at 500 mm centres	as required

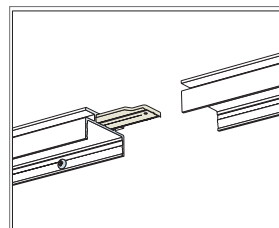
Δ Min. overall depth of system: 44 mm



See Quantity specification



Detail of installation

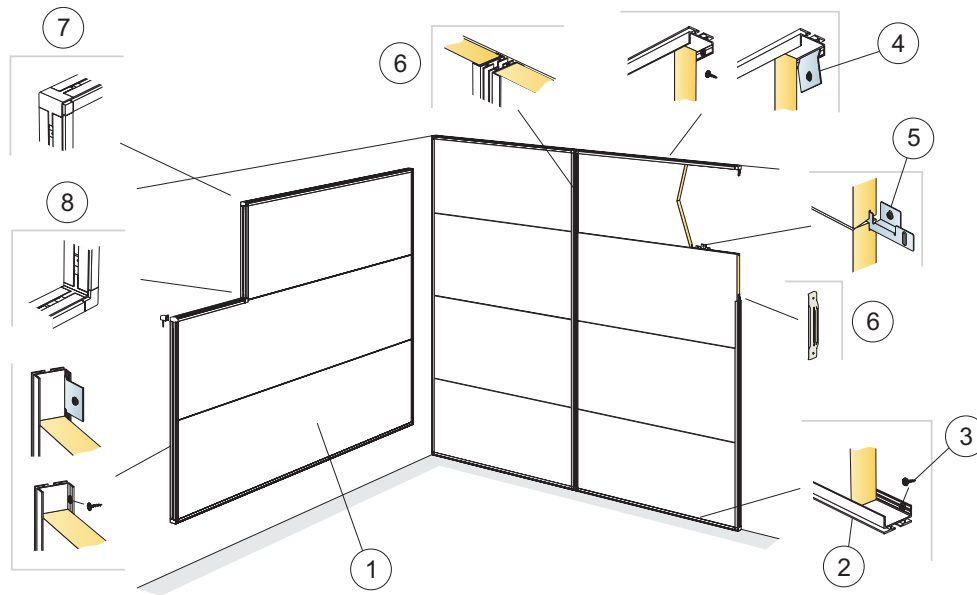


Detail of WP Profile splice

Size, mm	Max live load [N]	Min load bearing capacity [N]
2700x600	0	-

Live load/load bearing capacity

INSTALLATION DIAGRAM (M355) FOR ECOPHON AKUSTO WALL C HORIZONTAL INSTALLATION

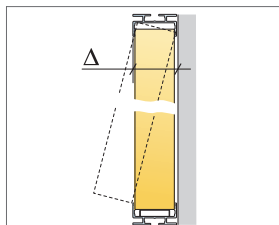


© Ecophon Group

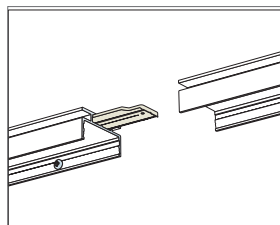
QUANTITY SPECIFICATION (EXCL. WASTAGE)

		Size, mm
		2700x600
1	Akusto Wall C	0,62/m ²
2	Connect WP Profile, L=2687 mm, fixed at 400 mm centres	as required
3	Connect Installation screw MVL (for use in plasterboard or timber)	as required
4	Alt. Connect Fixing bracket, fixed at 400 mm centres.	as required
5	Connect Fixing plate, installed at 500 mm centres	as required
6	Connect WP Profile splice. used to extend WP profiles where needed.	as required
7	Connect WP External corner mounted in Connect WP Profile	as required
8	Connect WP Internal corner mounted in Connect WP Profile	as required

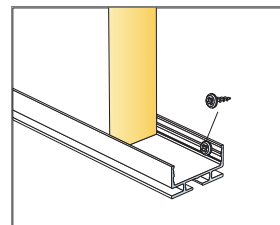
Δ Min. overall depth of system: 44 mm



See Quantity specification



Detail of WP Profile splice

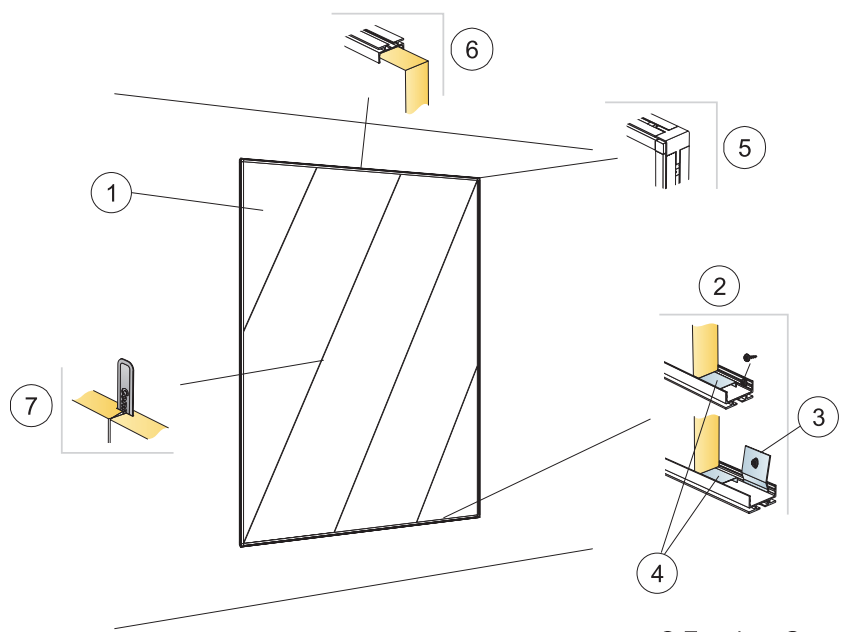


Detail of lower connection

Size, mm	Max live load [N]	Min load bearing capacity [N]
2700x600	0	-

Live load/load bearing capacity

INSTALLATION DIAGRAM (M235) FOR ECOPHON AKUSTO WALL C DIAGONAL INSTALLATION

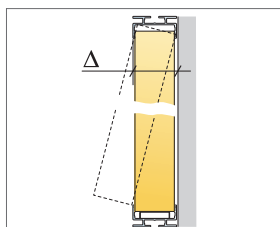


© Ecophon Group

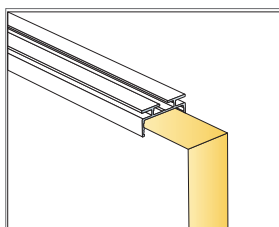
QUANTITY SPECIFICATION (EXCL. WASTAGE)

		Size, mm
		2700x600
1	Akusto Wall C	0,62/m ²
2	Connect WP Profile, L=2687 mm, fixed (alt. with Connect Fixing bracket), at 400 mm centres, with Connect WP Space bar, L=2400 mm	as required
3	Alt. 1: Connect Fixing bracket, fixed at 400 mm centres.	as required
4	Connect WP Space bar, L=2400 mm	as required
5	Connect WP External corner mounted in Connect WP Profile	as required
6	Connect WP Profile, L=2687 mm, fixed at 400 mm centres	as required
7	Joint between panels (Connect Spline can be used to secure the panels)	as required

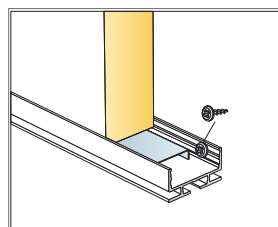
Δ Min. overall depth of system: 44 mm



See Quantity specification



Detail of upper connection

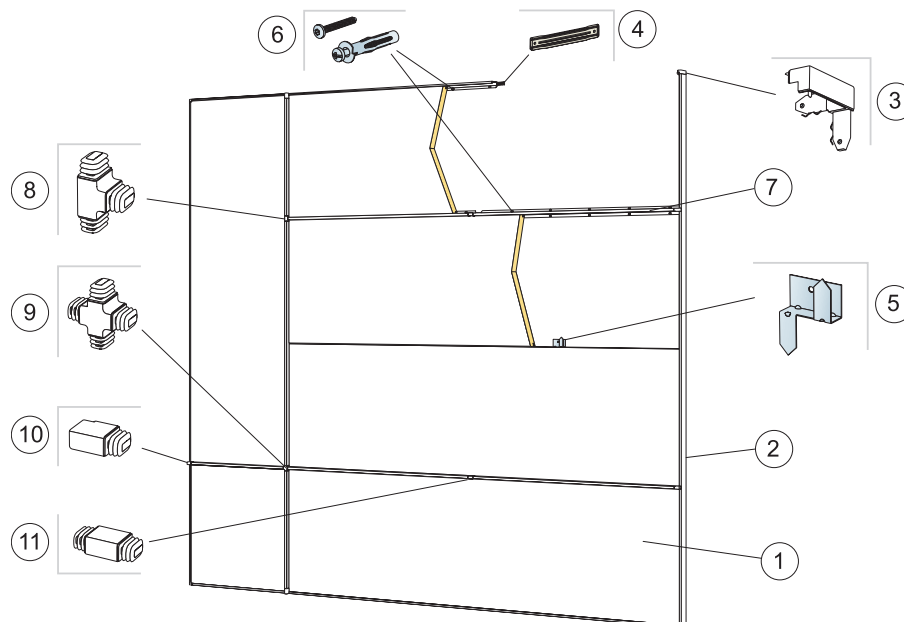


Detail of lower connection

Size, mm	Max live load [N]	Min load bearing capacity [N]
2700x600	0	-

Live load/load bearing capacity

INSTALLATION DIAGRAM (M303) FOR ECOPHON AKUSTO WALL C WITH CONNECT THINLINE PROFILES.

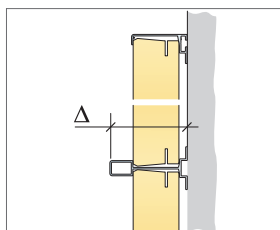


© Ecophon Group

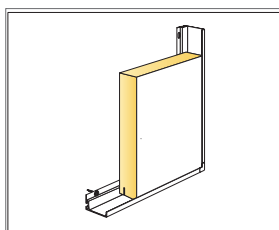
QUANTITY SPECIFICATION (EXCL. WASTAGE)

	Size, mm	
	2400x600	2700x600
1 Akusto Wall C		0,62/m ²
2 Connect Thinline profile, L=2678 mm		as required
3 Connect Thinline corner	as required	as required
4 Connect Thinline splice. used to extend Thinline profiles where needed.	as required	as required
5 Connect Ambit fixing, for panel support every 1000 mm	as required	as required
6 Installation screw, installed at 200 mm centres (select fastener according to wall material)	as required	as required
7 Connect Structure profile, used to highlight or divide into patterns (optional), L=2700 mm	as required	as required
8 Connect Structure T-junction, used to create a meeting between 3 structure profiles (optional)	as required	as required
9 Connect Structure X-junction, used to create a meeting between 4 structure profiles (optional)	as required	as required
10 Connect Structure ending, used at the ends of the Structure profiles (optional)	as required	as required
11 Connect Structure I-junction, used to extend Structure profiles (optional)	as required	as required

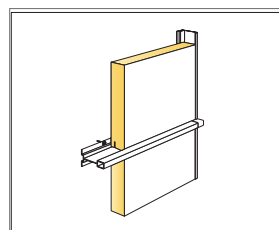
Δ Overall depth of system: 67 mm



See Quantity specification



Detail of panel with Thinline system

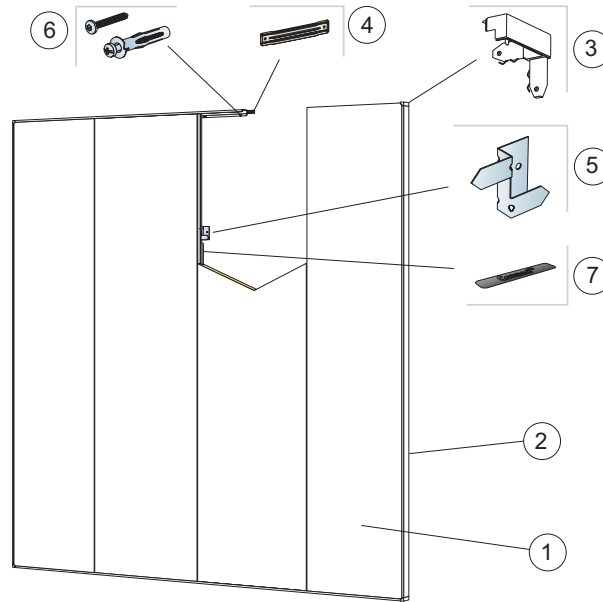


Detail of panel with Structure profile

Size, mm	Max live load [N]	Min load bearing capacity [N]
2700x600	0	-

Live load/load bearing capacity

INSTALLATION DIAGRAM (M356) FOR ECOPHON AKUSTO WALL C VERTICAL INSTALLATION WITH CONNECT THINLINE PROFILES.

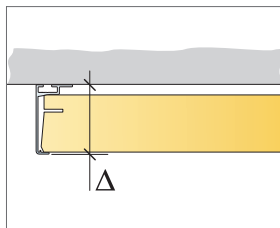


© Ecophon Group

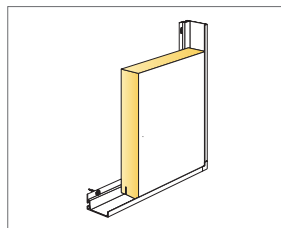
QUANTITY SPECIFICATION (EXCL. WASTAGE)

	Size, mm	
	2400x600	2700x600
1 Akusto Wall C		0,62/m ²
2 Connect Thinline profile, L=2678 mm		as required
3 Connect Thinline corner	as required	as required
4 Connect Thinline splice. used to extend Thinline profiles where needed.	as required	as required
5 Connect Ambit fixing, for panel support every 1000 mm	as required	as required
6 Installation screw, installed at 200 mm centres (select fastener according to wall material)	as required	as required
7 Connect Spline	as required	as required

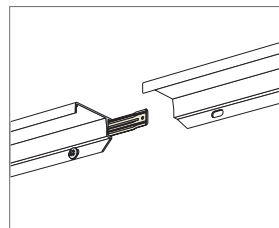
Δ Overall depth of system: 67 mm



See Quantity specification



Detail of panel with Thinline system



Detail of Thinline splice

Size, mm	Max live load [N]	Min load bearing capacity [N]
2700x600	0	-

Live load/load bearing capacity