

Troldtekt Panels Suspended Ceiling

Installation Guide

Installation made easy

Troldtekt Wood Wool Panels can be quickly and easily installed in one of two ways – either tiles dropped into an exposed 24mm Lay In Grid System, or Direct Fixed to a metal furring channel or wooden battens using Troldtekt colour-matched screws.

The panels are easy to cut with standard woodworking tools and as they are pre-finished, no sealing or painting is required.

Simply install and you're done!



What you will need

Screws

Troldtekt screws have been specifically developed for installing Troldtekt panels and come in a range of colours and sizes. Choose the screws that best complement your Troldtekt panels. Install screws so they are finished flush to the panel face. Do not overdrive screws into panels as this may result in poor visual finish and potentially compromised performance.

Screw usage guide:

- Use 55mm screws for 35mm thick panels.
- Use 50mm screws for 35mm 'design' panel with Gyprock plasterboard (wall install).
- Use 45mm screws for 25mm panels on furring channel.



Troldtekt screws for wood and steel

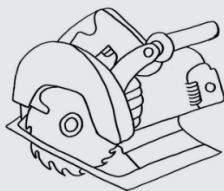


Troldtekt screws for steel

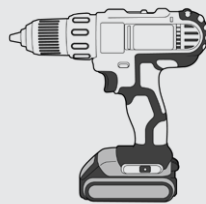


Troldtekt C5 screws for use in corrosive environments

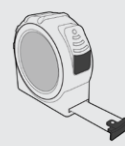
Tools



Table/ Circular Saw



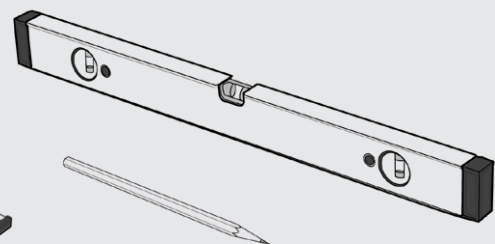
Drill



Measuring Tape



Pencil

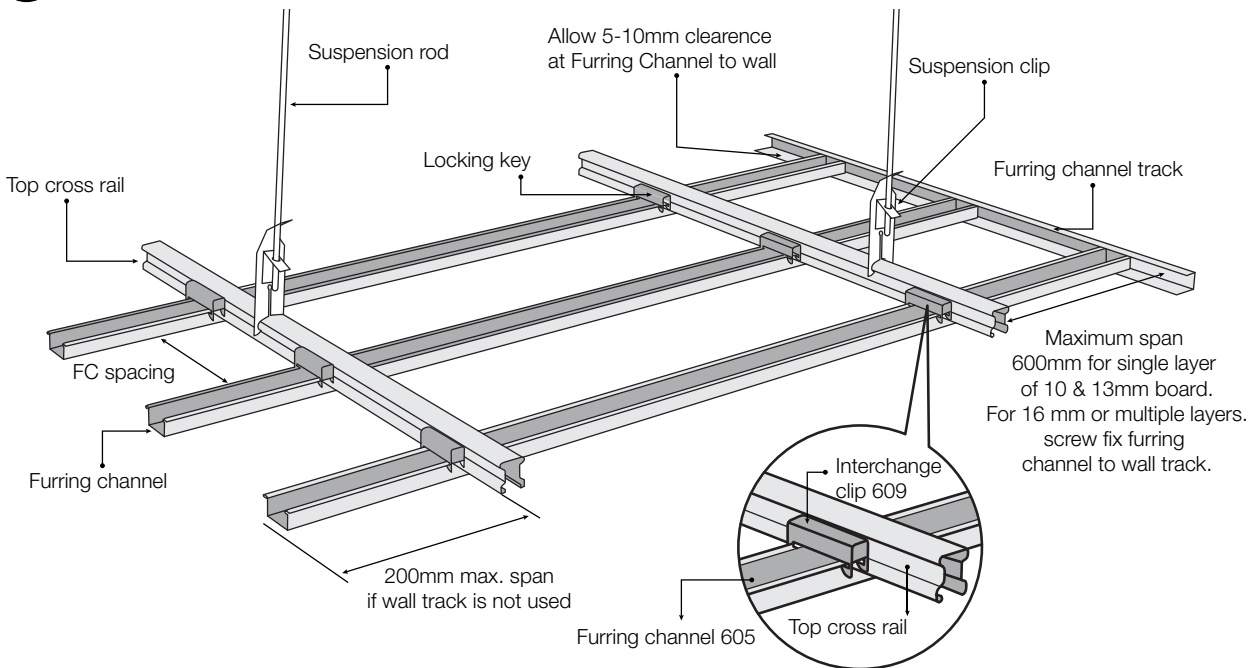


Level

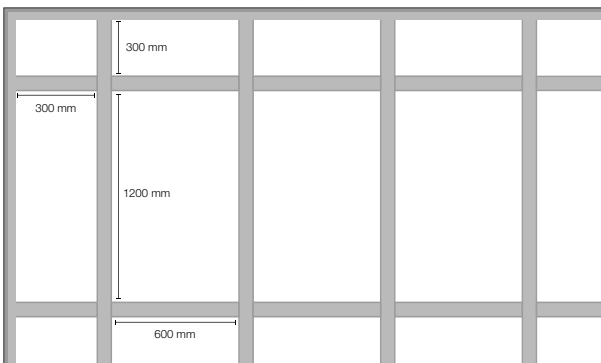
Suspended Ceiling Installation

Please read all instructions before commencing installation.

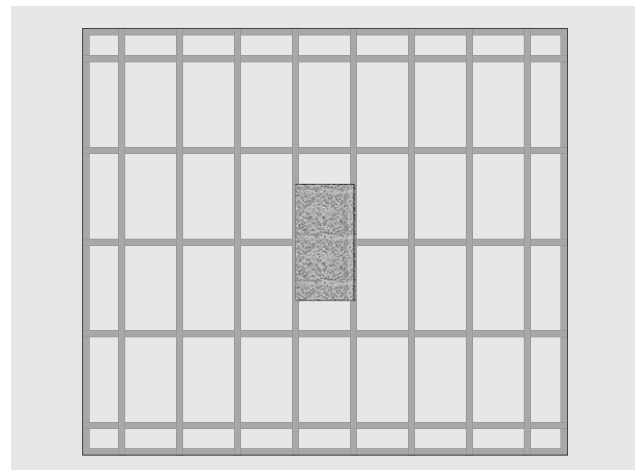
1 Install your Rondo Grid in consultation with the supplier's installation guide.



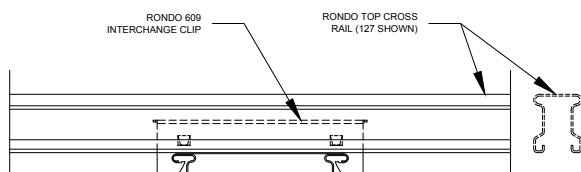
2 Before attaching furring channels, ensure the spacing covers 300mm around perimeter and the rails are 1200mm in length to allow the Troldekt panels to fit.



4 The recommended approach is to install the first panel in the centre of the room. Panels can then be installed along the centre axis. The remaining panels can then be build out from this centre line.

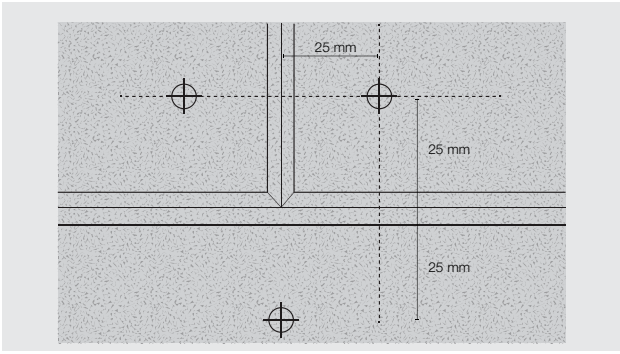


3 The furring channels can then be installed to top rail 127 using Rondo Clip 609.

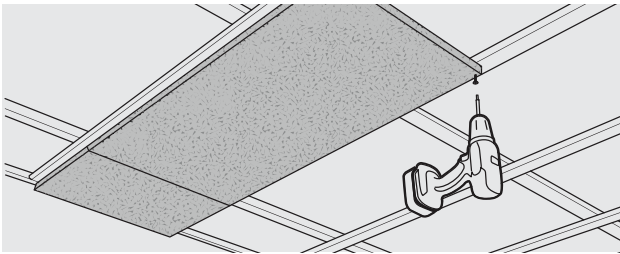


TIP: Divide your entire ceiling into 4 and then divide again until you have the accurate number of ceiling tiles required.

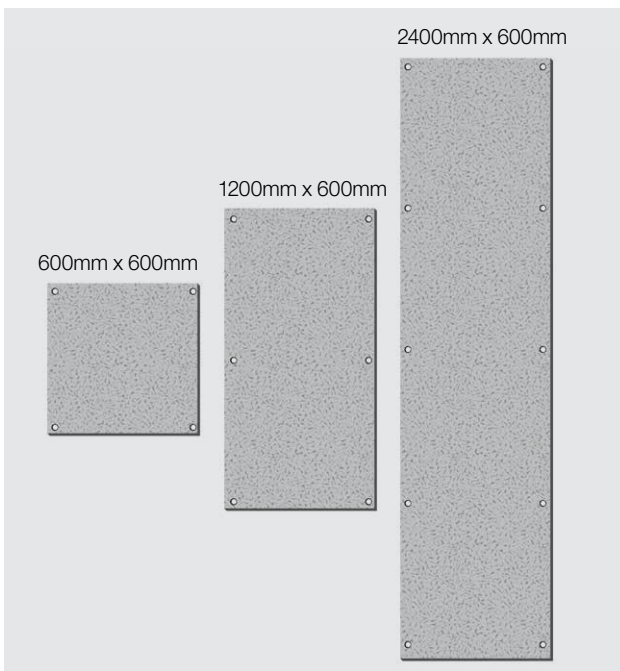
- 5** Troldekt screws should be spaced 25mm from the edge of each ceiling panel.



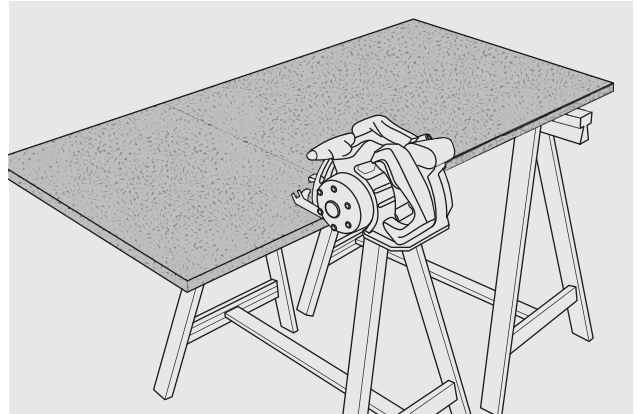
- 6** Once screw spacing has been measured, using the Troldekt screws, attach the Troldekt panel directly into the furring channel. Screws should be spaced no more than 600mm apart.



TIP: Troldekt panels come in many sizes. Here is a guide on how many screws are recommended per panel, based on panel size.



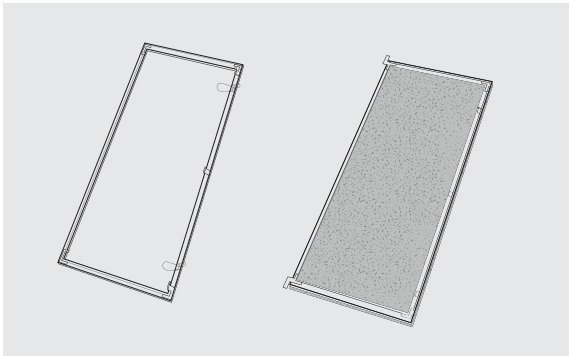
TIP: If needed, cut panels to size prior to attaching to furring channels using a Festool or Makita plunge saw kit.



Installation of Troldekt panels

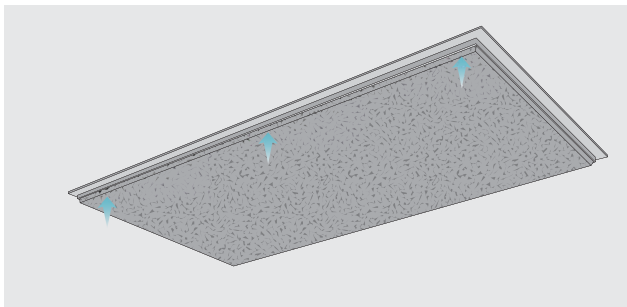
Components

Check that the following components are complete and undamaged on receipt. Please inform the supplier immediately of any visible defects or non-conformities as we are unable to accept claims regarding visible defects or non-conformities once the access panel has been fitted.

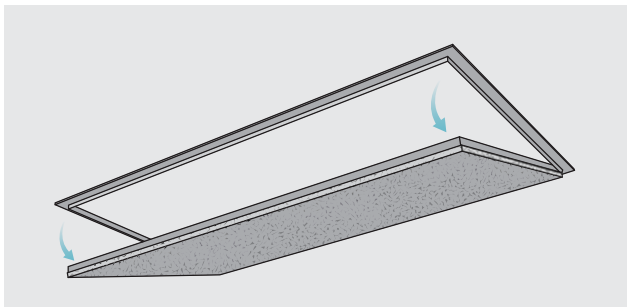


Separate the panel prior to installation

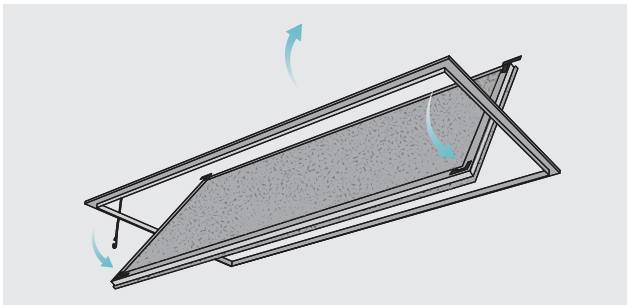
1 Release the inner frame from the outer frame by pressing it from below, releasing the latch mechanism.



2 Once the frame is open, release the snap hook.

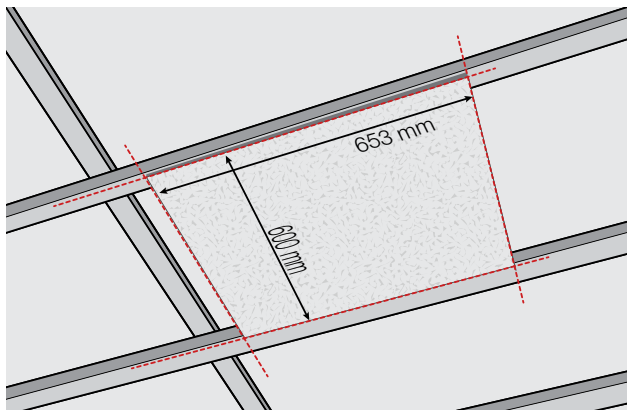


3 Separate the frame.

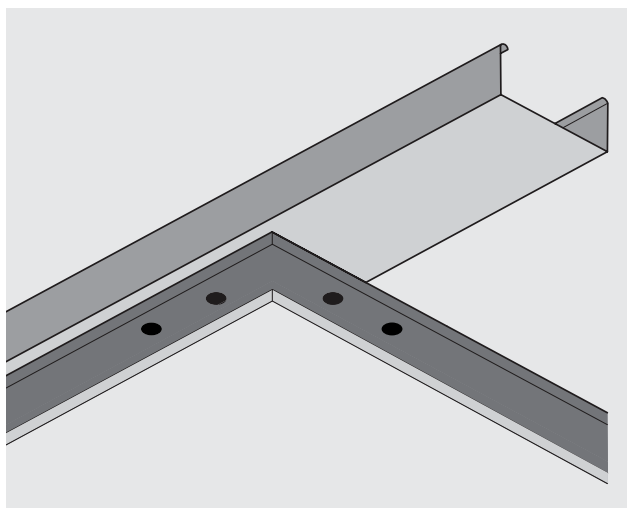


Installation of 600 x 600mm panel

- 1 Install the outer frame of the panel. Secure using Troldekt screws.



- 2 Attach the Troldekt panels directly to the furring channel.



- 3 Install the inner frame with Troldekt panel attached.

Detail | Painting and ongoing care of panels

1 Pre-installation checks and climatisation

Before fixing the panels to the ceiling grid or walls, check for any colour variation and report any issues to CSR Himmel as soon as possible.

Similarly, check for the presence of moisture. If panels are not dry when installed, there is a risk of cracks and fissures forming in the panels. For this reason, it is recommended that panels are stored indoors.

If panels are stored in a humid environment, it is recommended to 'batten' the panels, by placing battens between panels and to acclimatise indoors 14 days before installation.

2 Painting considerations

Painting Trolldtekt panels is possible using water-based acrylic paint, at approx. 350g/m² per coat coverage. For unpainted panels, it is recommended to use a coverage of 525g/m² in two coats. Application should be done using a paint sprayer.

For minor paint repairs, Trolldtekt factory matched paints are available.

3 Repair of panels

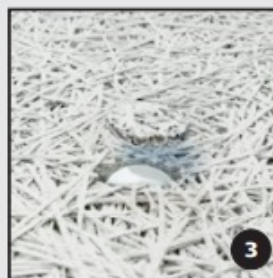
For repairing holes, we recommend using a Stanley knife to cut a small piece of cement-bonded wood wool from a surplus panel and then adhering the patch to the damaged area with glue or cement. To reduce visual impact of the repair, spot-painting the area with a matching touch-up paint is recommended.



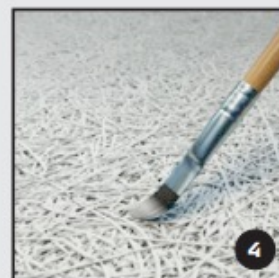
Apply sealant



Using a Stanley knife, cut a small piece of cement-bonded wood wool out of a surplus panel or a sample panel



Cut the cement-bonded wood wool to size, and use it to fill the hole



Use touch-up paint with the same colour as the panel

4 Cleaning panels

Remove any dust from the installation work from the surface of acoustic panels with a vacuum cleaner. The most effective and gentle way of doing this is using an ordinary brush nozzle.

For more detailed guidelines on painting, patching and repair of panels, please visit trolldtekt.com.au or scan here.

